

# FITTING GUIDE

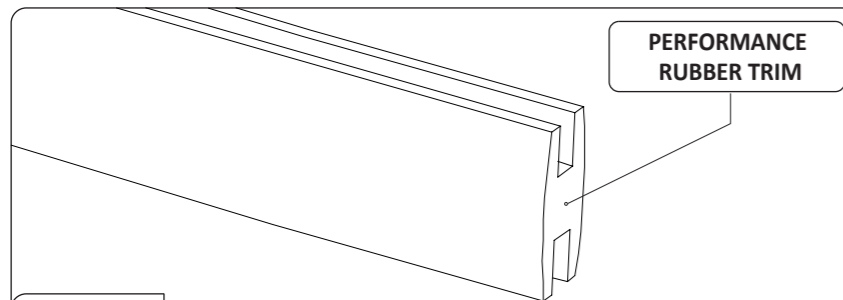
## FLOW DESIGNS WINDOW VENT

### INSTALLATION AND FITTING SERVICES

If you are having any difficulties please seek professional advise from the listed International and Domestic Authorised Dealers on our website.

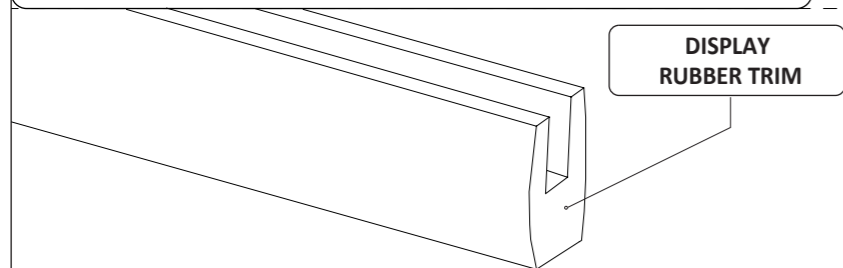
[www.flowdesignsaustralia.com](http://www.flowdesignsaustralia.com)

# WINDOW REMOVAL NOT REQUIRED



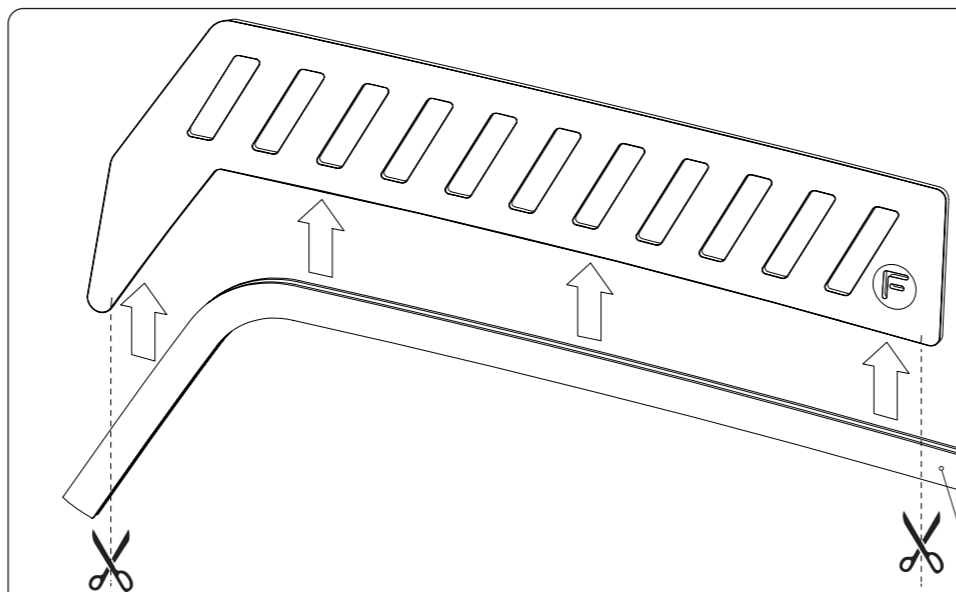
### STEP 1a

Use performance rubber trim for on road/driving applications



### STEP 1b

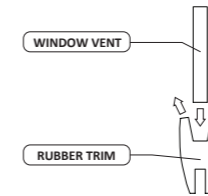
Use display rubber trim **only** for show/visual applications



### STEP 2

- Cut supplied rubber trim according to markings found on window vents
- Fit rubber trim around the bottom of the window vent, aligning ends to previously referenced markings
- Ensure the rubber trim is fitted securely around both sides of the window vent

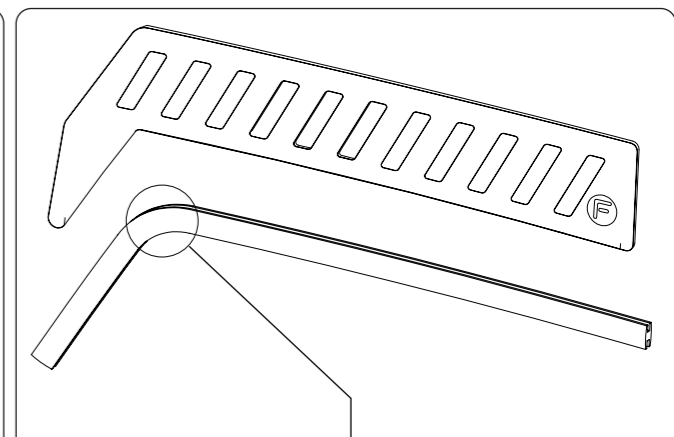
### HANDY HINT



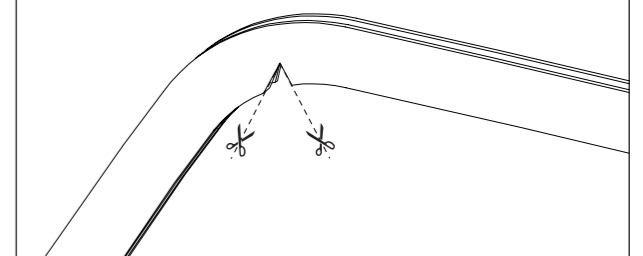
Ensure the rubber trim is fitted around both sides of the window vent for a secure and safe seal

### HANDY HINT

For easier rubber trim fitment, use soapy water to seal the trim onto the window vent



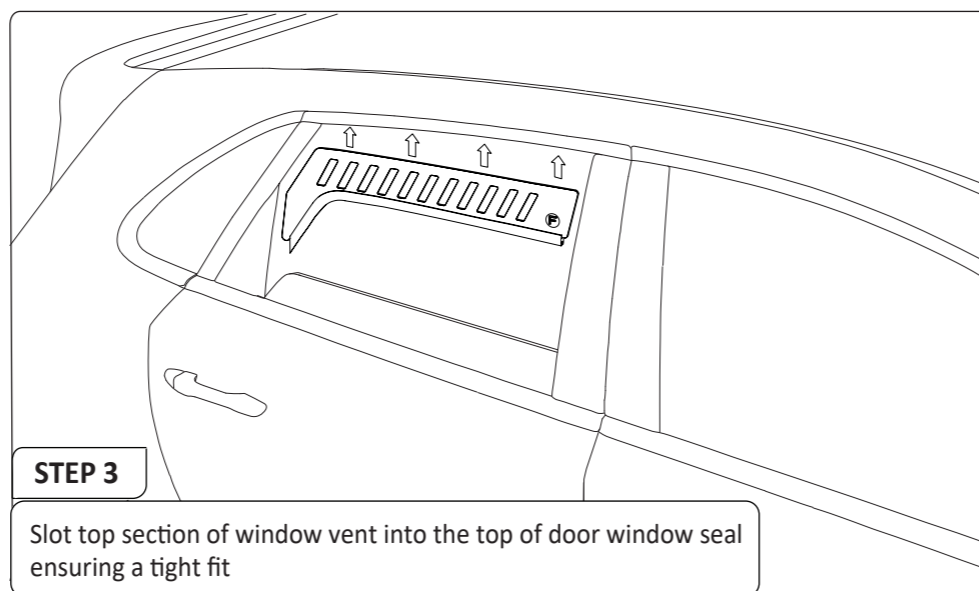
### HANDY HINT



To avoid creases in rubber trim, cut a v shape at the apex of the bend

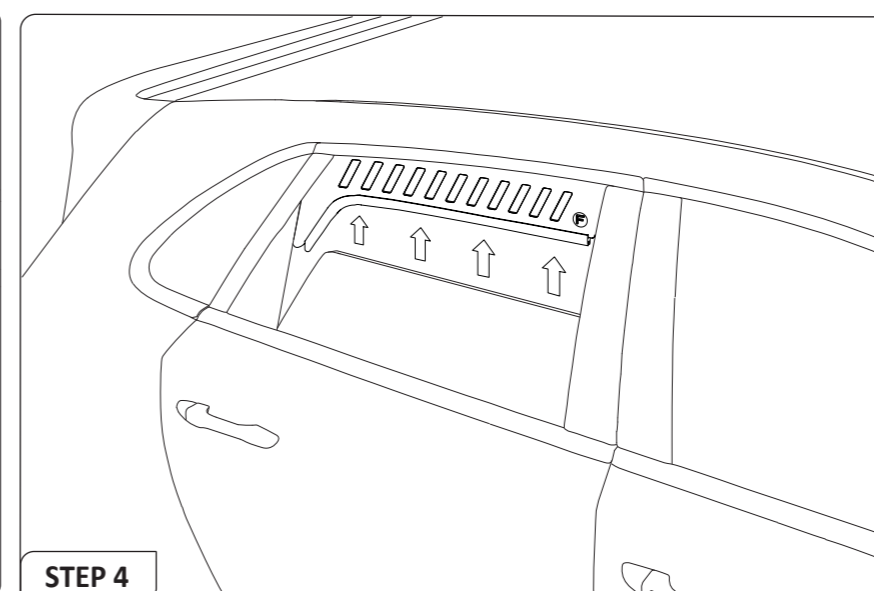
### CONTINUE TO STEPS 2.1 AND 2.2 ON PAGE 2 IF YOU HAVE

- SUBARU G3 WRX HATCH
- SUBARU G3 WRX SEDAN
- AUDI RS3/S3
- HYUNDAI i30N/N-LINE

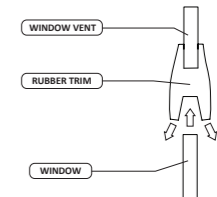


### STEP 3

Slot top section of window vent into the top of door window seal ensuring a tight fit



### HANDY HINT

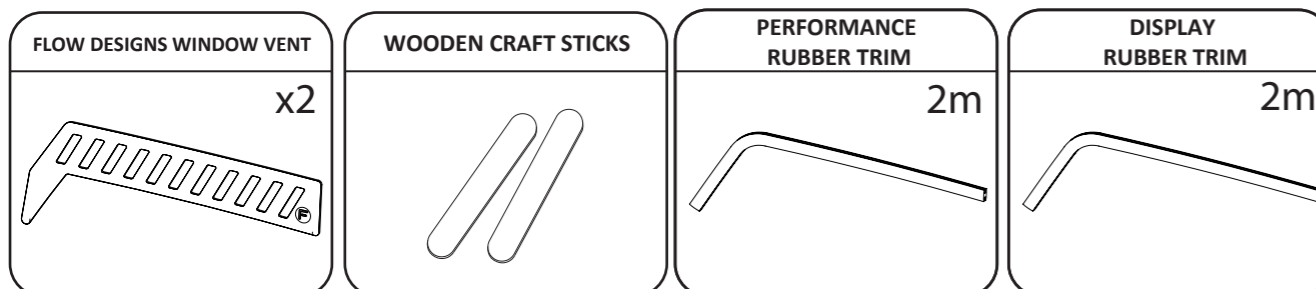


Ensure the rubber trim is fitted around both sides of the window for a secure and safe seal

### STEP 4

- Roll up car window (**WARNING** if your car has a safety lock feature, do not roll window up all the way, ensure window is only just secured in bottom of rubber trim to avoid window automatically going down).
- Ensure both window and window vent are within rubber trim channels
- If running into difficulty getting window into rubber trim channels, use supplied wooden craft sticks to help spread channel of rubber trim over window. **Only use wooden craft sticks on outer side of window to avoid window and window tint damage**

## INCLUDED WITH WINDOW VENTS



# FITTING GUIDE PAGE 2

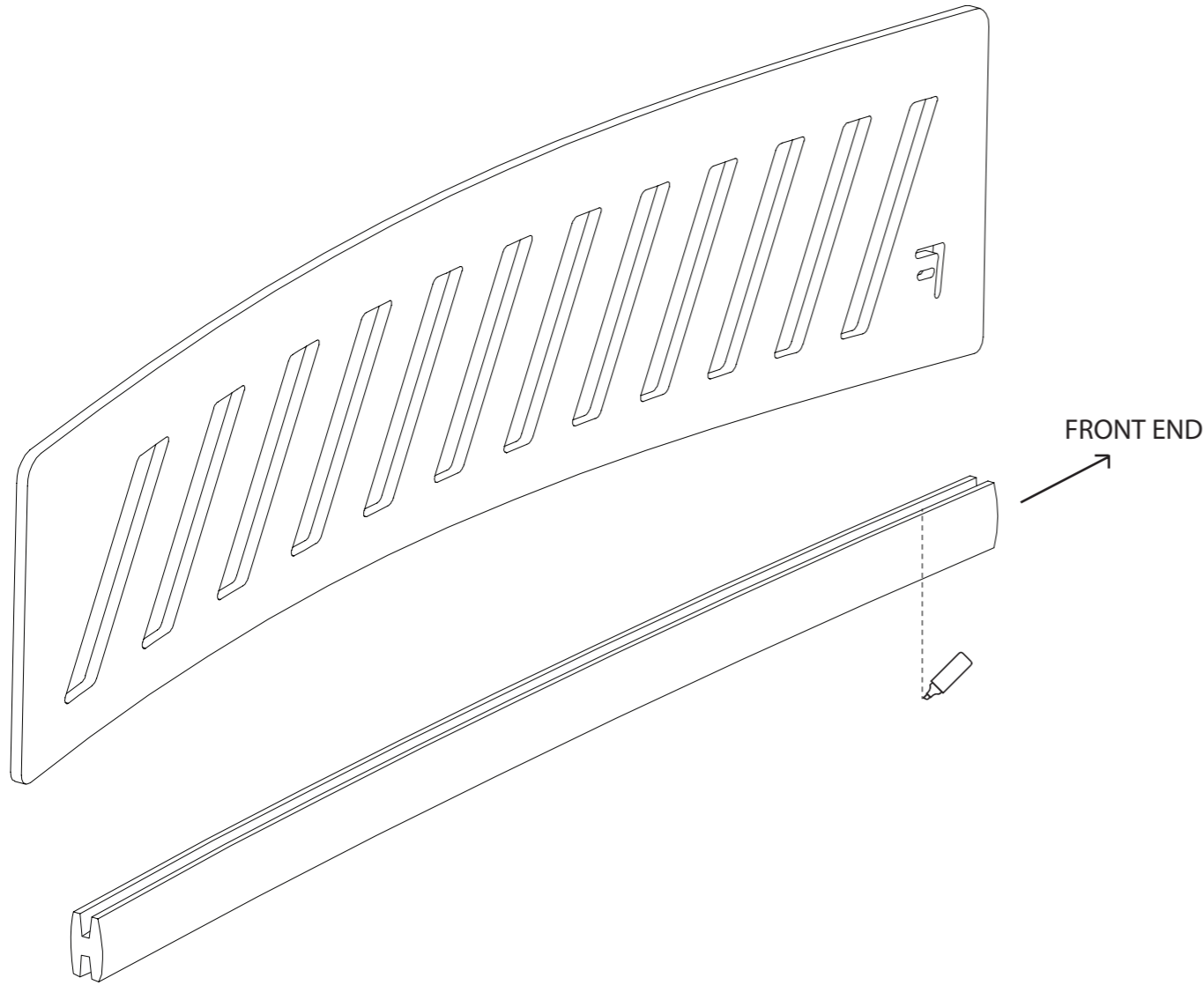
## FLOW DESIGNS - WINDOW VENT

### INSTALLATION AND FITTING SERVICES

If you are having any difficulties please seek professional advice from the listed International and Domestic Authorised Dealers on our website.

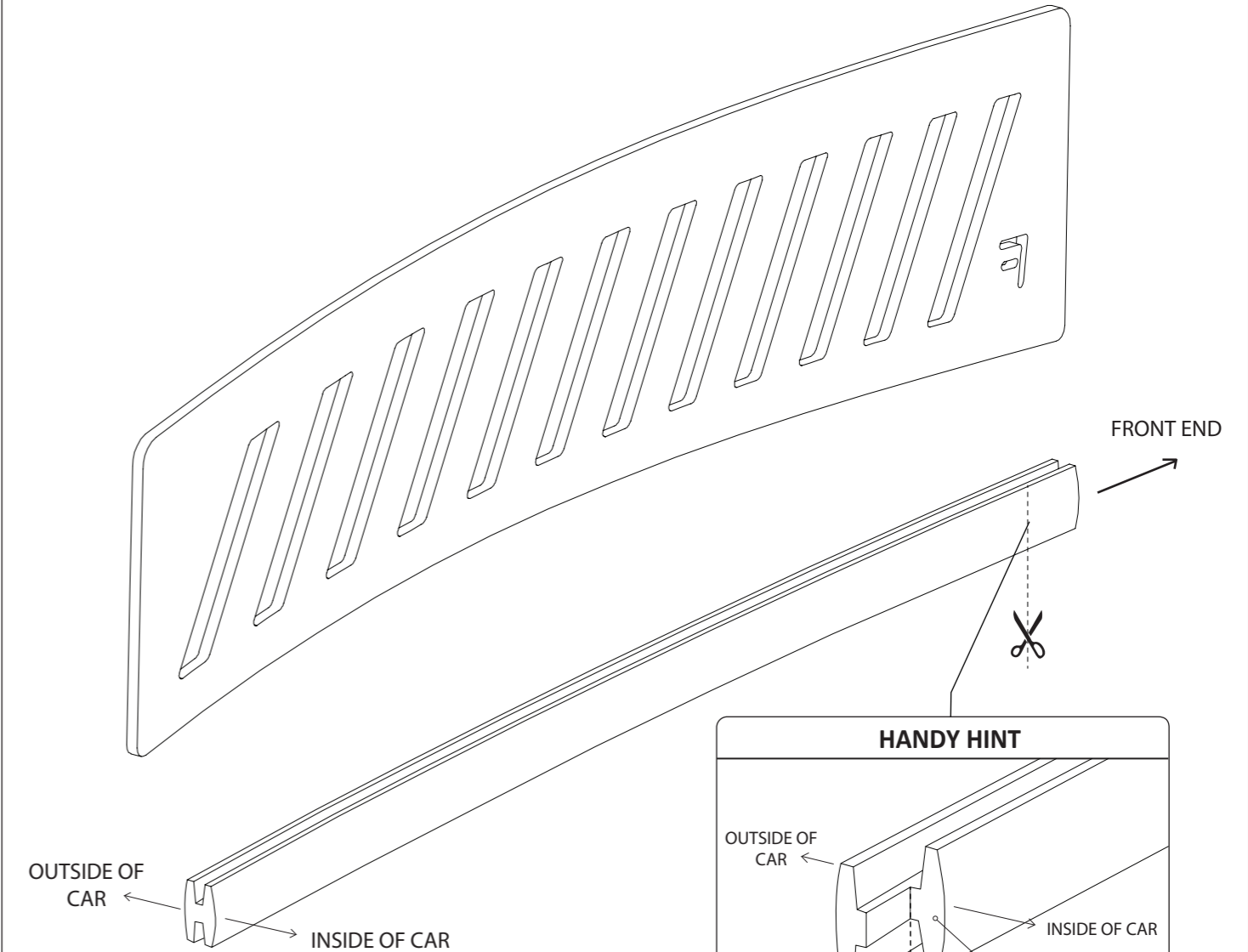
[www.flowdesignsaustralia.com](http://www.flowdesignsaustralia.com)

# WINDOW REMOVAL NOT REQUIRED



### STEP 2.1

Once provided rubber trim has been cut to required length, measure and mark off enough to clear the inside rubber window seal from the front end of the provided rubber trim



### STEP 2.2

Cut **ONLY THE INSIDE HALF** of the rubber trim at the previously marked off point

## ONLY COMPLETE STEPS 1.1 & 1.2 IF YOU HAVE:

- SUBARU G3 WRX (HATCH & SEDAN)
- AUDI RS3/S3
- HYUNDAI i30N/N-LINE



### TERMS AND CONDITIONS : MISUSE OF GOODS

This Product application is not intended for public road registered vehicles within Australia. Regulations may vary from Countries outside of Australia. Please check your Country's and State's road regulations before installing on a vehicle intended for public road use.

Flow Designs Australia PTY LTD will not be liable for any liabilities in relation to any use of the goods other than in strict accordance with the Company's instructions and for the purpose and application for which the goods were supplied by the Company.

The Client undertakes with the Company:

- That it will acquaint itself with the requirements of all relevant government or statutory and other authorities, bodies or corporations relating to the goods and/or services and to the applications to which the goods and/or services are to be put;
- That at all times while the goods are in its possession or under its control it will comply with such requirements;
- That it will procure that any purchaser of goods from it will also acquaint itself with, and will comply with, such requirements;
- That it will indemnify the Company against any liability resulting from a breach of any such requirements.

[www.flowdesignsaustralia.com](http://www.flowdesignsaustralia.com)